

SQUARE SERIES

There are millions of inductive sensors deployed in almost every area of factory automation. They detect metal objects contactless and are distinguished by a long operating life and extreme robustness. The Datalogic Automation inductive family provides the right solution to market requirements, offering a wide range of cylindrical and rectangular standard sensors with one or two set switching distances, available also with two, three or four wires connection models, short and standard housing and cable or connector version. Stainless steel version for both harsh environments or for FOOD applications.



HIGHLIGHTS

- Wide range: suitable practically for all the industrial applications
- Stainless steel versions: suitable for food applications
- 1X and 2 X operating distances: high detection reliability and precise reading
- 2, 3 or 4 wire connection: flexible connection system to meet customer applications

APPLICATIONS

Automatic warehouse



Automotive



Transportation lines



Packaging lines



PROXIMITY SWITCHES

40MM PLASTIC SQUARE HOUSING

ROTATING SENSING HEAD TYPE 5 POSITIONS

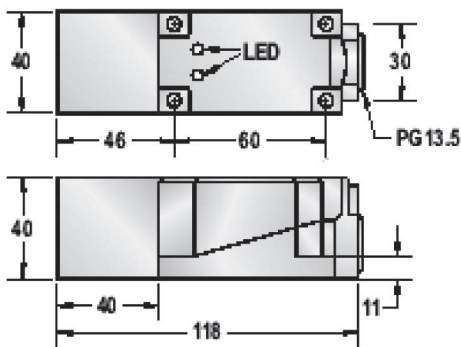
- 10÷30 V DC or 20÷250 V AC/DC input
- NPN/PNP 4 wires or NO/NC 2 wires output
- Short housing with M12 connector model

TECHNICAL DATA

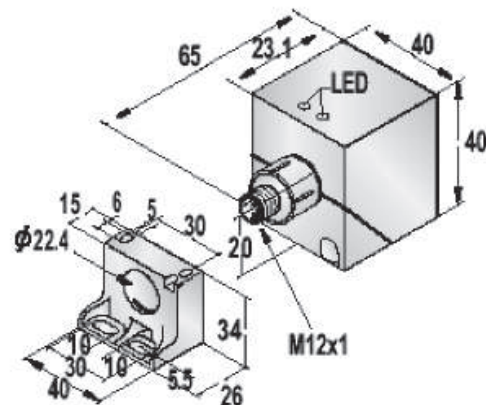
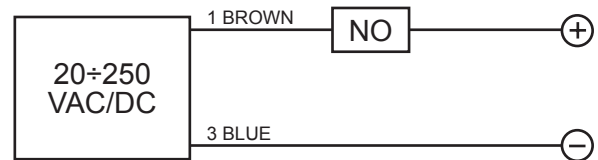
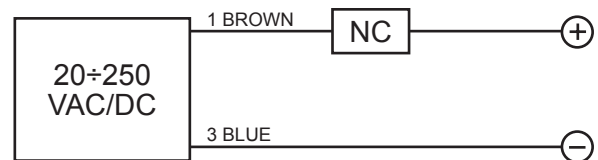
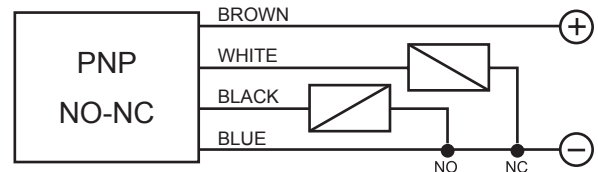
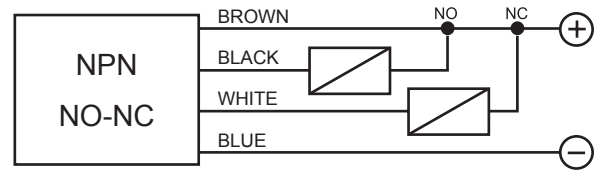
	10 ÷ 30 V DC		20 ÷ 250 V AC/DC	
	FLUSH	NOT FLUSH	FLUSH	NOT FLUSH
NOMINAL SWITCHING DISTANCE	15 mm	30 mm	15 mm	30 mm
HOUSING MATERIAL	PBT RESIN		PBT RESIN	
OPERATING VOLTAGE	10 ÷ 30 VDC		20÷250 VAC, 50-60 Hz 20 ÷ 250 VDC	
RIPPLE	< 10%		DC RIPPLE < 10%	
NO LOAD CURRENT	< 10 mA		< 2.5 mA	
MAX LOAD CURRENT	200 mA		200 mA	
LEAKGE CURRENT	< 0.01mA		< 2.5 mA	
VOLTAGE DROP	< 1,5 V		≤ 10 VAC; ≤ 8 VDC	
SURGE CURRENT	-		2,2 A for 20 ms	
MIN. LOAD CURRENT	-		5 mA	
SWITCHING FREQUENCY	100 Hz		25 Hz AC; 40 Hz DC	
RESPONSE TIME	1 ms		10 ms	
SWITCHING HYSTERESIS	< 15% (Sr)		< 15% (Sr)	
REPEAT ACCURACY	< 1,0% (Sr)		< 1,0% (Sr)	
PROTECTION CATEGORY	IP 67		IP 67	
OPERATING TEMPERATURE	-25 °C / +75 °C		-25 °C / +75 °C	
TEMPERATURE DRIFT	<10% (Sr)		<10% (Sr)	
SHORT CIRCUIT PROTECTION	YES		YES	
OVERLOAD TRIP POINT	220 mA		-	
TIME DELAY BEFORE AVAILABILITY	< 10 ms		-	



DIMENSIONS (mm)



WIRING DIAGRAMS



MODEL SELECTION AND ORDER INFORMATION

2MT CABLE

CODE	MODEL	RANGE	HOUSING	STEEL AISI316L	FLUSH	WIRES	NPN/PNP	NO/NC
95B065230	IS-40-W6-03	1X	40mm SQUARE		•	4	NPN	NO-NC
95B065240	IS-40-W5-03	1X	40mm SQUARE		•	4	PNP	NO-NC
95B065250	IS-40-W7-03	1X	40mm SQUARE		•	2	NO	
95B065260	IS-40-W8-03	1X	40mm SQUARE		•	2	NC	
95B065270	IS-40-Y6-03	1X	40mm SQUARE			4	NPN	NO-NC
95B065280	IS-40-Y5-03	1X	40mm SQUARE			4	PNP	NO-NC
95B065290	IS-40-Y7-03	1X	40mm SQUARE			2	NO	
95B065300	IS-40-Y8-03	1X	40mm SQUARE			2	NC	

M8 CONNECTOR

CODE	MODEL	RANGE	HOUSING	STEEL AISI316L	FLUSH	WIRES	NPN/PNP	NO/NC
95B065310	IS-40-X6-S2	1X	40mm SQUARE SHORT		•	4	NPN	NO-NC
95B065320	IS-40-X5-S2	1X	40mm SQUARE SHORT		•	4	PNP	NO-NC

MODEL DESCRIPTION

IS - 04 - A1 - 03

DIAMETER

04 = 4mm
 05 = 5mm
 65 = 6,5mm
 08 = 8mm
 12 = 12mm
 18 = 18mm
 30 = 30mm
 40 = 40x40mm SQUARE
 80 = 80x80mm SQUARE
 88 = 8x8mm SQUARE

CONSTRUCTION

A= flush standard housing
 B= flush short housing
 BB= flush extra short housing
 C= non flush standard housing
 D= non flush short housing
 E= flush standard housing double range
 F= non flush standard housing double range
 G= flush short housing double range
 GG= flush extra short housing double range
 H= non flush short housing double range
 I= flush standard housing metal face
 L= non flush standard housing metal face
 M= flush short housing steel
 N= non flush short housing steel
 O= flush short housing steel double range
 P= non flush short housing steel double range
 Q= flush 8x8mm square housing
 R= flush 8x8mm square housing double range
 S= flush standard housing steel
 T= non flush standard housing steel
 U= flush standard housing steel double range
 V= non flush standard housing steel double range
 W= flush 40x40mm square housing
 X= flush 40x40mm short square housing
 Y= non flush 40x40mm square housing
 Z= non flush 40x40mm short square housing

OUTPUT

1 = 10-30 Vdc PNP NO
 2 = 10-30 Vdc PNP NC
 3 = 10-30 Vdc NPN NO
 4 = 10-30 Vdc NPN NC
 5 = 10-30 Vdc PNP NO-NC
 6 = 10-30 Vdc NPN NO-NC
 7 = 24-230Vac - 2 wires NO
 8 = 24-230Vac - 2 wires NC
 9 = 10-30 Vdc - 2 wires NO-NC
 0 = 10-30 Vdc - 4 wires
 11 = Analog 4-20mA
 12 = Analog 0-10V
 13 = Analog 0-10V/4-20mA
 14 = Analog 0-5V/1-5mA
 15 = 20-250Vac/Vdc-2 and 3 wires NO
 20 = NAMUR

CONNECTION

02 = Cable 500mm
 03 = Cable 2mt
 04 = Cable 700mm
 S1 = M8 connector
 S2 = M12 connector
 S3 = terminal block*
 S4 = unf 1/2"

* only for square housing version

Note: Not all code combinations are available. Please refer to alphabetical model index for the list of available models.



The company endeavours to continuously improve and renew its products; for this reason the technical data and contents of this catalogue may undergo variations without prior notice. For correct installation and use, the company can guarantee only the data indicated in the instruction manual supplied with the products.